



Save your company valuable space, time, labor and material with

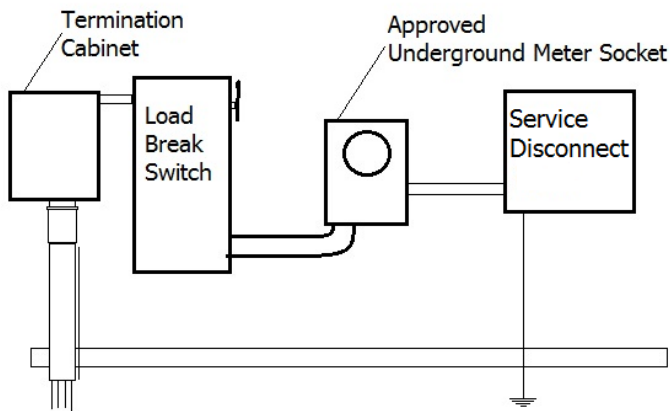
AMP's NEW Alliant Energy approved ALISESM

200A 480V Self-Contained Secondary Meter Service



WHY install 4+ components, when you can install 1?

The Standard Way



- Increased amount of labor, material and installment time
- Multiple separate components
- Messy, disorganized appearance
- Larger, spread out footprint

The AMP Way



- NEMA1/3R dual rated and ISC ratings of 100KA RMS symmetrical with no cable lashing required.
- 480V, 200A, 3 Phase 4 Wire applications only
- Eliminates piping and wiring required in Standard Installation
- Quick and easy installation
- Aesthetically pleasing
- Smaller footprint



For more information, please contact your AMP sales representative